

# BOTTLE COOLER / WINE COOLER

## INSTRUCTIONS FOR USE



MODEL:  
VINTEC 120 SG  
VINTEC 160 SG

Please read these instructions carefully before putting the appliance into service. They are brief and contain only information which will help you to obtain the best performance from the appliance.

Take care of all accessories supplied with the appliance.

Bottle capacity is dependant on shelf configuration and bottle sizes.

## Contents

1. Before starting the appliance
2. How to use the appliance
3. Maintenance
4. Has the appliance stopped working?
5. Safety
6. Technical data
7. Installation
8. Change of hinge side
9. Lighting fixture

### 1. BEFORE STARTING THE APPLIANCE

Check that the cabinet is undamaged. Please report any damage **immediately** to your dealer. Wash the cabinet and inner lining with a mild unscented detergent and wipe it dry. Do not use abrasive scouring powder, steel wool or similar. Connection to the electricity supply. See head 7 and 8.

### 2. HOW TO USE THE APPLIANCE

Operating panel (see fig. (5) page (4))

1. Thermostat Knob
2. Indicator for the connection to the electricity supply (green).
3. Switch for light

The thermostat knob is adjustable from 0 (stop) to 7 (coldest). Find the position of the thermostat which gives you the desired temperature. Start at position 4. It should give you a temperature of around 14°.

### DEFROSTING

The evaporator is automatically defrosted.

The defrost water is led to a tray on top of the compressor where it evaporates

### 3. MAINTENANCE

Only use an unscented detergent when clearing the cabinet inside.

You may remove the top panel and wash it when cleaning the cabinet inside.

Switch off the appliance and pull out the plug when cleaning the cabinet.

The skirting board at the bottom, can be removed to facilitate a vacuum-cleaning of the floor. See fig. (1) page (5). To remove it, unscrew the two screws on the front and pull slightly downward the board before pulling it to you.

To make the cooling system work at its optimum it is necessary from time to time to clean the wire condenser and the compressor at the back of the cabinet by means of a brush or vacuum cleaner. Remember to clean the drain, making sure it is never obturated by a piece of label or else.

### IMPORTANT

In case of damage to the power cord it must be replaced by a power cord of corresponding type, available from the manufacturer or his service representative.

### 4. HAS THE APPLIANCE STOPPED WORKING?

Before calling a repairman, check that

- The plug is properly plugged into the socket.
- The fuse is intact.
- The power has not been cut off.
- All controls are correctly set.
- Switch off the cabinet for 15 minutes (for instance at the thermostat). Switch it on again and after 5 minutes check whether frost has formed on the evaporator.
- Do not open the cabinet when unnecessary.

### 5. SAFETY

**Do not** store explosive substances in the refrigerator section, such as gas, cigarette lighters, petrol, ether or similar. Scrapped cabinets may become dangerous to children at play. Therefore, remove the doors or place the scrapped cabinet in such a way that children cannot enter it.

Never store liquids with carbon dioxide.

### 6. TECHNICAL DATA

This appliance meets the provisions of the following directives: 89/336/EEC (electro-magnetic compatibility), 73/23/EEC (electrical equipment designed for use within certain voltage limits) as amended.

Household appliances sold in the EU also meet 96/57/EEC (energy efficiency requirements) as amended.

The rating plate, which is placed in side the appliance (see fig. (6) page (4)), provides various technical information as well as type and serial numbers.

## 7. INSTALLATION

See drawings-fig.1 page (5)-fig. (2a), (2b), (2c), (2d) and (3) page (6).

Install the cabinet in a dry place so that it is not exposed to direct sunlight or any other source of heat. Place the cabinet in a level position. This is easily achieved by adjusting the adjustable feet at the front edge of the base. To do this, either ask somebody to help you to tilt backward the cabinet, holding it in such position that you can have access to the feet, or undo the skirting board (see maintenance).

The cabinet may not rest against a wall on its hinged side.(you need to open the door more than 90° to take the shelves out)

When placing the cabinet on a carpet or on a wooden floor you should adjust it once more after some time as the cabinet might settle in soft foundations.

If you want to build the appliance into a cupboard you must consider 3 factors:

1. There must be space above the appliance in order to make the cooling system work satisfactorily.-Fig. (2a) page (6).
2. the distance to the wall at the hinge side must be of a sufficient size.-Fig (3) page (6) in order to open the door more than 90°. (or the door frame must be outside, not flush with the wall.)

In addition, the wine cabinet may be built in or positioned alongside another unit-fig. (3) page 6. In such case, a 25mm gap must be left between the two cabinets.

Any local installation rules for appliances of this kind must be observed. During a storm the electricity supply might be cut off. You should be aware of this when installing the appliance in weekend cottages or elsewhere where you would not immediately observe that the power has been cut off. Construction and details in the accessories are subject to alteration without previous notice.

## 8. CHANGE OF HINGE SIDE

Follow the instructions below if you wish to install the door hinges at the opposite side. (all our cabinets are delivered right hinged).See the drawings on page (7).

- Open the door.

- Loosen the two little screws underneath the black plastic cover and which holds the cover in place (do not unscrew them completely since it would be very difficult to screw them back.)

- Remove the plastic cover by pulling it out.

- Using the Stanley keys supplied with the cabinet, unscrew the upper hinge.

- Remove the door.

- Unscrew the bottom hinge.

- Use the removed upper hinge as the new bottom hinge. To do this, you will have to rotate the hinge 180° and to undo the pivot and the counter nut so that you can replace the latter in the right position. (upright).

- Rotate the glass door 180° and replace it on the new bottom hinge.

- Install the new upper hinge. (ex right bottom hinge). Make sure it is correctly positioned and the door seals properly.

- Tighten all the nuts of the hinges (top and bottom).

- Replace the black plastic cover. (You will have to remove a small piece of the panel from the cabinet, located near the new left upper hinge in order to put the cover completely in place. You will see easily what to do when you will do it)

- Tighten the two little screws in order to fix the cover.

## 9. LIGHTING FIXTURE

See the drawing on page (7).

1. Pull the screen to the left

2. Pull down the right side of the screen and take it out.

- Remove the strip by pulling it out of the tracks along the whole length of the profile.

- The fluorescent tube can be replaced.

To replace the screen, follow the same process but in reverse order. The light switch can be replaced without removing the screen.

## DISPOSAL OF THE APPLIANCE

The appliance contains recyclable materials. When disposing of the appliance, please contact the technical administration or other appropriate authority in your municipality. They can inform you of the collection and recycling measures used in the municipality.

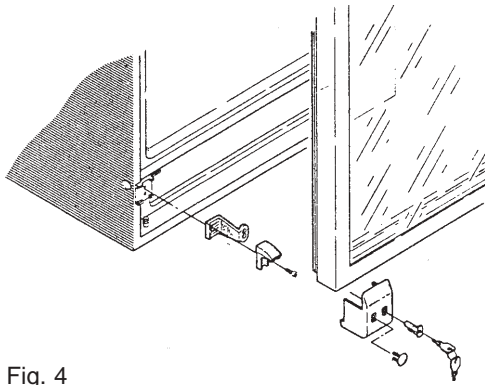


Fig. 4

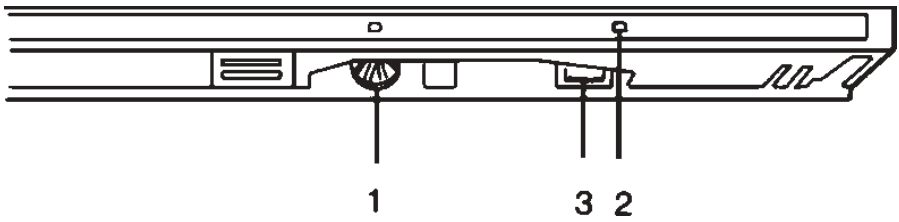


Fig. 5

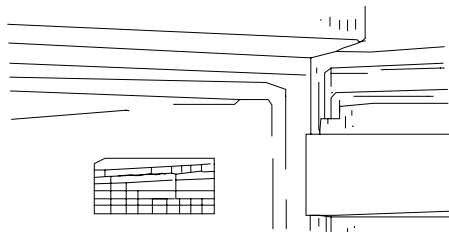


Fig. 6

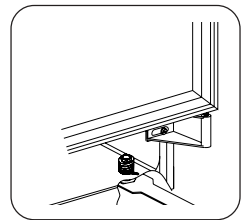
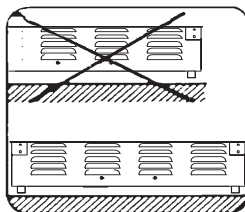
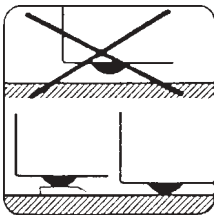
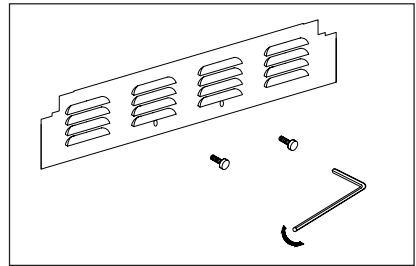
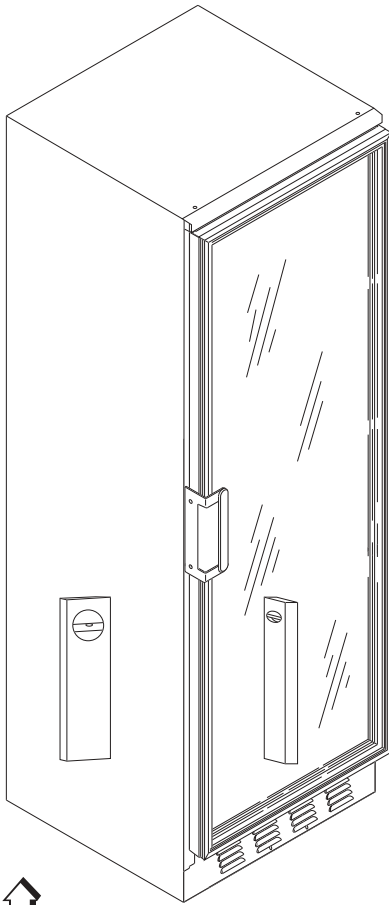


Fig. 1

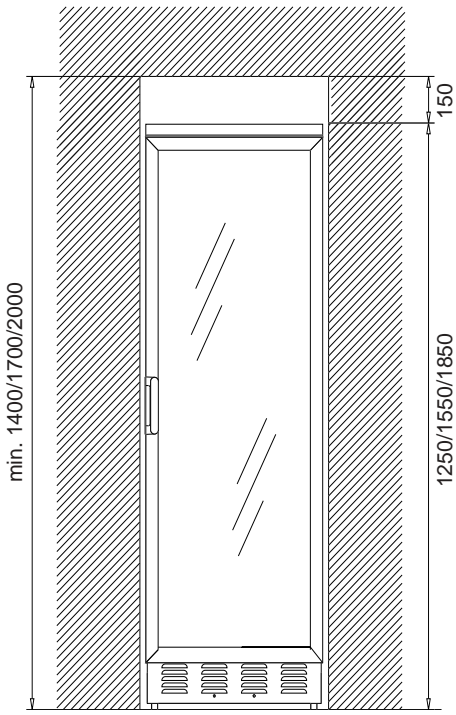


Fig. 2A

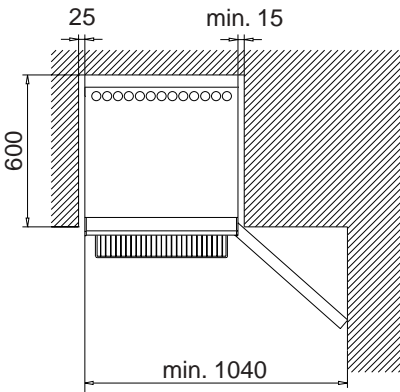


Fig. 2B

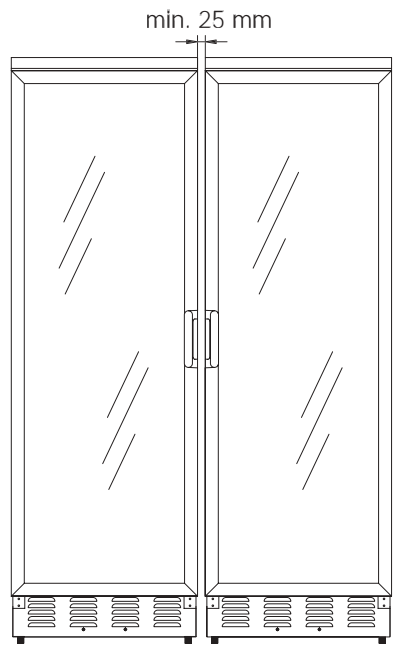


Fig. 3

# CHANGE OF HINGE SIDE

